

How to connect board by serial

HARDWARE CONNECT

(AM335X)

P16		
GND	1	
CAN_L	2	
CAN_H	3	
485_2_+	4	
485_2_-	5	
485_1_+	6	
485_1_-	7	
232_2_TXD	8	
232_2_RXD	9	
232_1_TXD	10	
232_1_RXD	11	
VCC 5V	12	

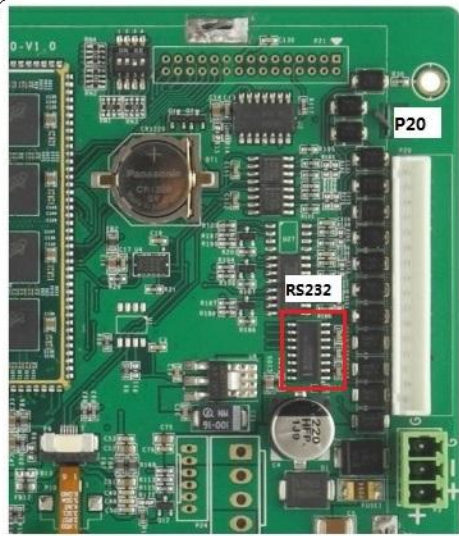
(IMX6Q)

For 5"

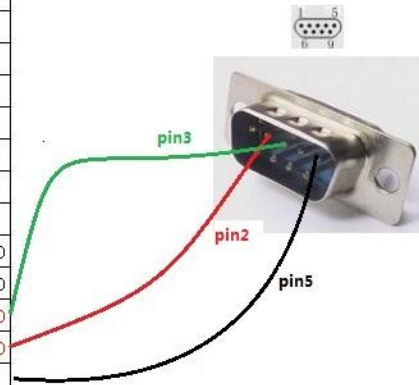
P13 Is TTL, Not RS232

P13	
1:	UART1_TXD
2:	UART1_RXD
3:	GND

For 7"



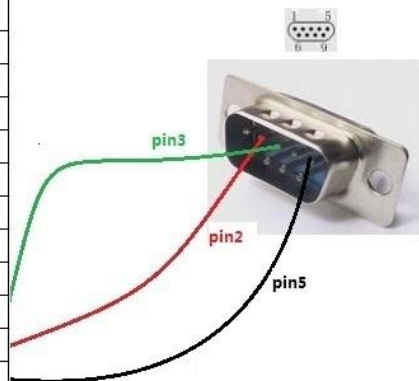
P20	
1	CAN2_H
2	CAN2_L
3	CAN1_H
4	CAN1_L
5	485_2_-
6	485_2_+
7	485_5_-
8	485_5_+
9	485_4_-
10	485_4_+
11	232_3_RXD
12	232_3_TXD
13	232_1_RXD
14	232_1_TXD
15	GND
16	VCC 5V



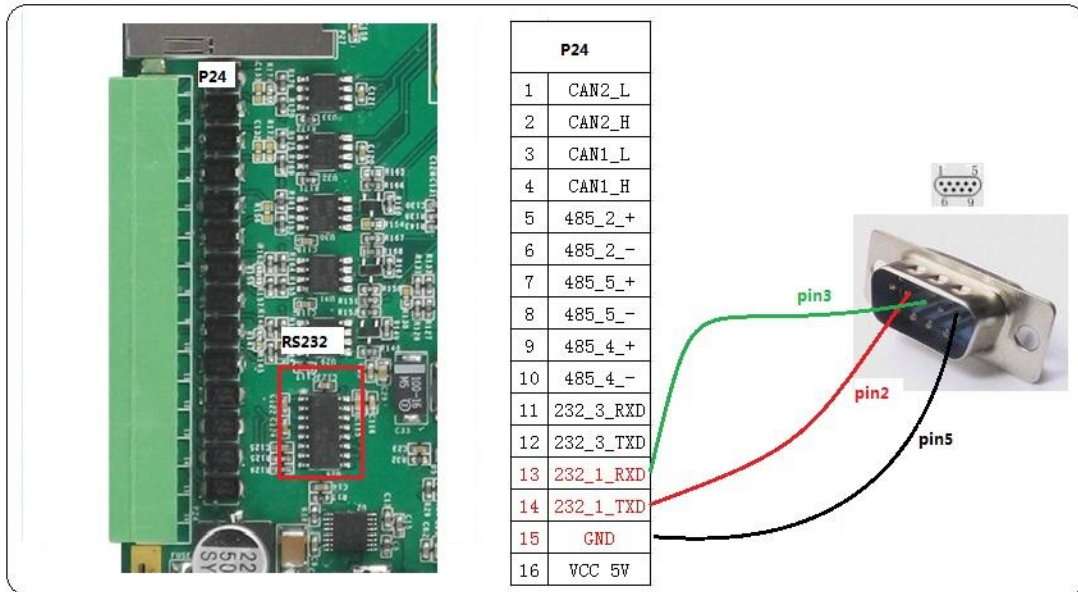
For 7" V2



P20	
16	CAN2_H
15	CAN2_L
14	CAN1_H
13	CAN1_L
12	485_2_-
11	485_2_+
10	485_5_-
9	485_5_+
8	485_4_-
7	485_4_+
6	232_3_RXD
5	232_3_TXD
4	232_1_RXD
3	232_1_TXD
2	GND
1	VCC 5V



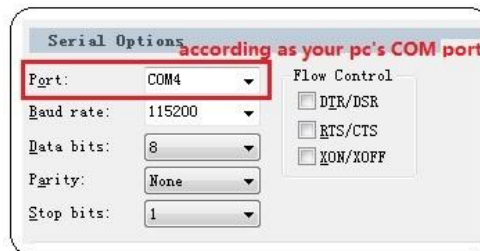
For 10.1" ---- 21.5"



P24	
1	CAN2_L
2	CAN2_H
3	CAN1_L
4	CAN1_H
5	485_2_+
6	485_2_-
7	485_5_+
8	485_5_-
9	485_4_+
10	485_4_-
11	232_3_RXD
12	232_3_TXD
13	232_1_RXD
14	232_1_TXD
15	GND
16	VCC 5V

Note: Our board has RS232 chip, you can connect the RS232_1 to COM port on PC directly or to USB-Serial, **but you can't use USB-TTL**. Only the IMX6Q 5" uses TTL, you should use USB-TTL connector to connect the board and PC.

SOFTWARE CONNECT



Note: You should config the serial follow above, the **Port** need modified according as your PC.